

Roller shutter door



The traditional rolling shutter door is ideal for openings up to 12 metres wide x 12 metres high and is suitable for industrial, commercial and retail applications. The roller shutter is a strong, versatile and very adaptable product suitable for most applications and can be fitted internally, externally or within an opening.

Operation

Self-coiling :-

Up to 2500mm wide x 2500mm high. This push up door comes complete with central or bullet locks.

Manual hand chain :-

Continuous link chain operating a 3 to 1 ratio gear system connected by 1/2 inch pitch drive chain.

Electric operation :-

A selection of three phase and single phase motors available from 1/2 hp to 3 hp. Complete with rotary limits for setting door travel, emergency manual override in the event of power failure and safety interlock. All activated by up, down and stop push buttons as standard.

Barrel :-

Constructed from 127mm O/D steel tube (generally) with helical counter balance spring for doors up to 8m wide x 6m high. Beyond this size, barrels are unsprung and complete with safety bearing.

Curtain :-

Constructed of traditional 3" interlocking lath of various strengths depending on application 18/20/22 gauge and retained by pressed steel/nylon endlocks.

Guide Assembly

Standard guide channels 75mm x32mm x 3mm galvanised finish bolted to 75 x 50 backing angle provided with doors up to 4500mm wide. All doors above this width are complete with 65 mm wind lock system.



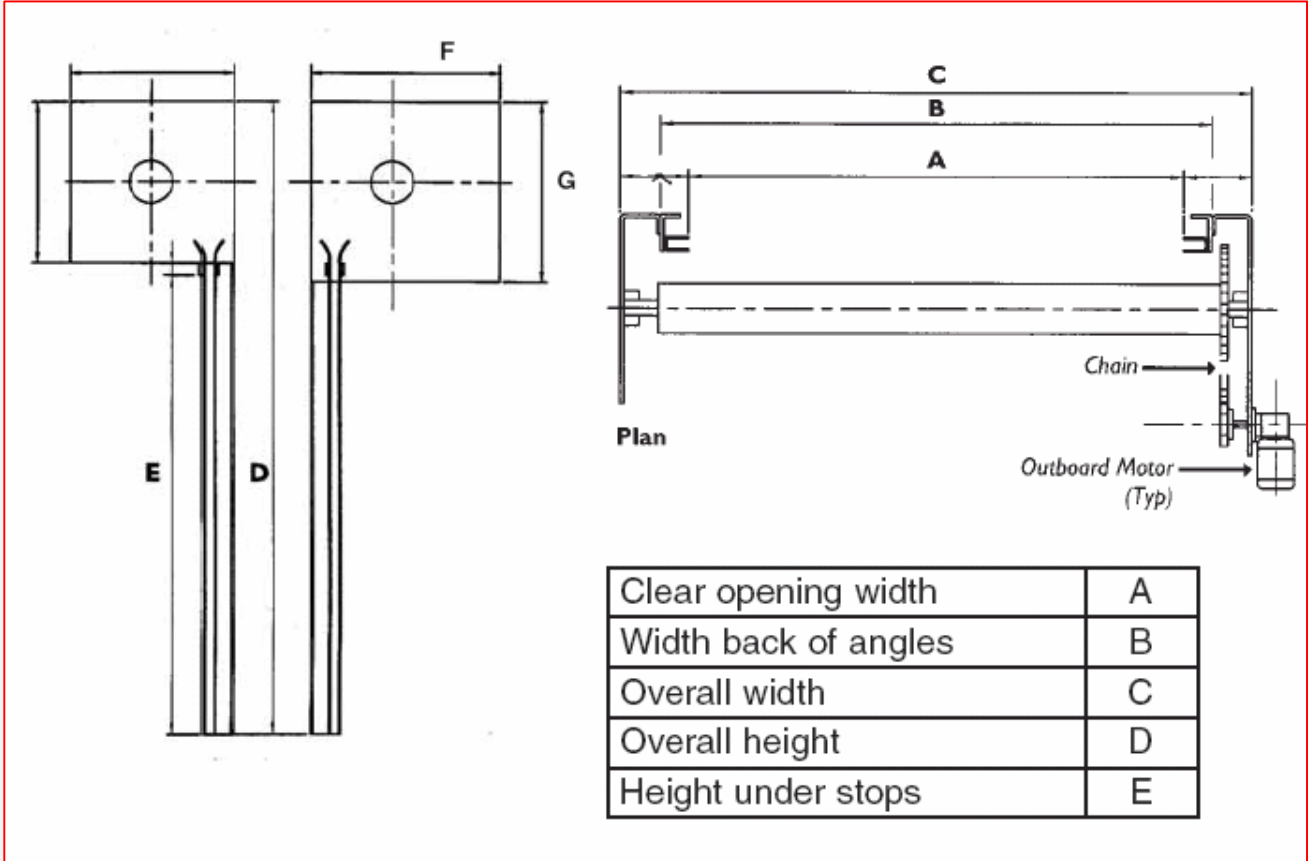
BI-FOLD ROLFE LTD
Industrial Door Specialist

UNIT 4, CALCOT MOUNT, CALCOT LANE, CURDRIDGE, HAMPSHIRE SO32 2BN
Tel: (01489) 780099 Fax: (01489) 780090
E-Mail: sales@bifoldrolfe.com www.bifoldrolfe.com

END PLATE SIZE

Door Height	F	G
0mm to 3510mm	350mm	350mm
3510mm to 4400mm	400mm	400mm
440mm to 5500mm	450mm	450mm

For doors outside these sizes please contact our technical department.



BI-FOLD ROLFE LTD
Industrial Door Specialist

UNIT 4, CALCOT MOUNT, CALCOT LANE, CURDRIDGE, HAMPSHIRE SO32 2BN
 Tel: (01489) 780099 Fax: (01489) 780090
 E-Mail: sales@bifoldrolfe.com www.bifoldrolfe.com