

Security Shutters



Security Shutters - Built On and Built In.

Security Shutters Generally constructed of a double walled extended aluminium 38mm deep lath interlocked together & retained by nylon end locks. All shutters complete with canopies & come in polyester powder coating finish white as standard options include Push up/Rod crank, Tape and electric operation.

Curtain :-

Constructed from 38mm continental style, double skin extruded aluminium non-vented lath with lateral movement contained by nylon end locks with a bottom rail to suit.

Shutter Housing :-

Constructed from roll formed aluminium in two sections, top and bottom box removable for installation and maintenance purposes.

Electrical Operation :-

Single phase powered by SOMFY tubular motors, 240volts with .05 -2.5 amps of draw dependent upon shutter size.

Finish Options :-

Apart from our standard colours, this product can be powder coated to any B.S or R.A.L. colours you may require.

Barrel :-

Constructed from 60mm octagonal tube with roller bearings on non-drive end and operator on opposite.

End Plates :-

Die - cast aluminium to suit shutter housing.

Electrical Optional Extras :-

Key switch, remote control, group commands.

Optional Extras :-

High security guide channels, emergency over ride systems and sill angles.

Installation :-

If required installation can be carried out by our own fully experienced fitting teams.



BI-FOLD ROLFE LTD
Industrial Door Specialist

UNIT 4, CALCOT MOUNT, CALCOT LANE, CURDRIDGE, HAMPSHIRE SO32 2BN
Tel: (01489) 780099 Fax: (01489) 780090
E-Mail: sales@bifoldrolfe.com www.bifoldrolfe.com

Side Guides :-

Constructed from extruded aluminium with an internal box section for strength and installation complete with nylon brush seals for smooth operation.

Side Guides :-

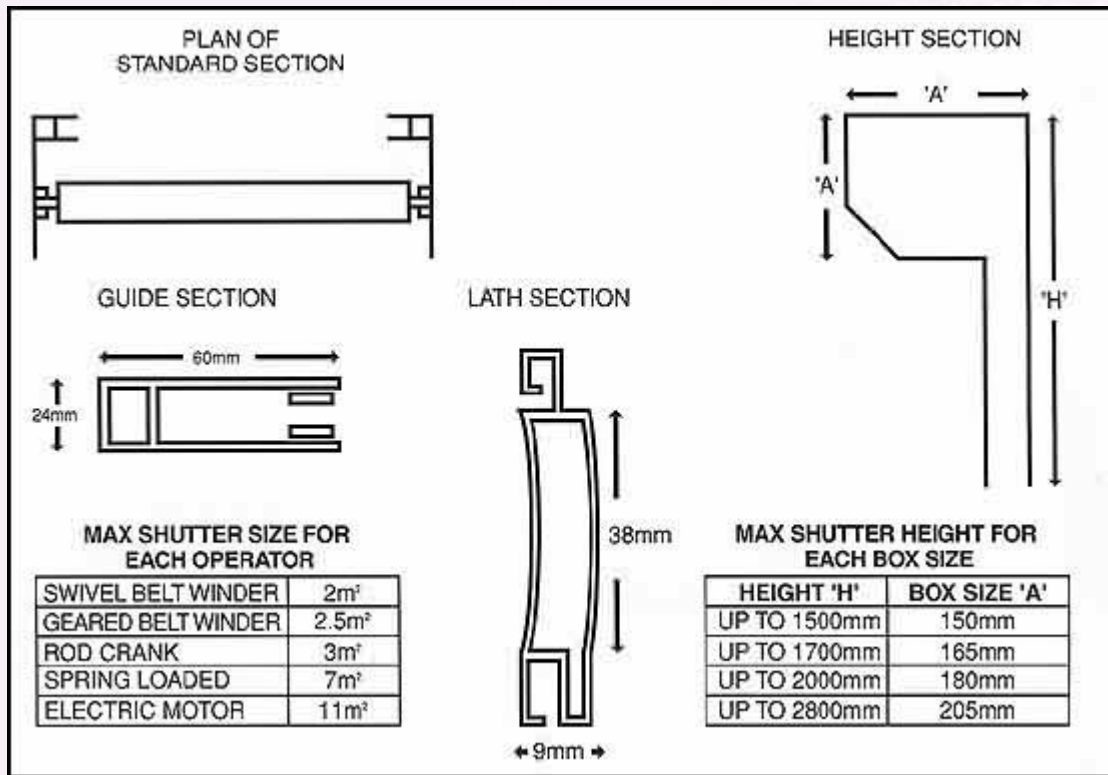
Constructed from extruded aluminium with an internal box section for strength and installation complete with nylon brush seals for smooth operation.

Operation :-

Operation is dependent of shutter size by one of the following ,swivel belt winder, geared belt winder, rod crank or spring loaded.

Colours :-

Curtains - white, beige, brown Guides & boxes - white, brown



Specifications :- Security Shutters - Built In.

The modern built-in system offers high levels of security by night, yet disappears during the day. With the shutter housing and guides designed to fit unobtrusively into the wall, the system is not visible when not in use and the architectural look and design of new buildings remains unspoilt.

With the development of this system and its increasing popularity among architects and their clients, it surely heralds the end of the unsightly traditional shutter, once so common on commercial developments, offices, schools, medical centres and factory units.

As one of the UK's leading manufacturer and suppliers of roller shutters, we are ideally positioned to provide quality built-in systems for a wide range of applications.



BI-FOLD ROLFE LTD
Industrial Door Specialist

UNIT 4, CALCOT MOUNT, CALCOT LANE, CURDRIDGE, HAMPSHIRE SO32 2BN
Tel: (01489) 780099 Fax: (01489) 780090
E-Mail: sales@bifoldrolfe.com www.bifoldrolfe.com

Curtain :-

38mm double skin extruded aluminium non-vented lath with lateral movement contained by nylon ends with a bottom rail and weather seal to suit. Alternatively vented or non-vented foam filled lath can be used.

Shutter Housing :-

The shutter housing is of PVC honeycomb construction for strength and maximum insulation. This modular system has die-cast aluminium plates to carry the weight required for each shutter. The internal fascia panel is attached by a snug fit clip design for draught proofing.

Guide Channel :-

Constructed from extruded aluminium with an internal box section for strength and installation complete with nylon brush seals for smooth operation.

Electrical Operation :-

The operation is by one of the following - Single Phase Tubular Motors 240V, Rod Crank or Spring Assisted. All motors are supplied by Somfy, the world leader in shutter automation.

Electrical Optional Extras :-

Key Switch, Rocker Switch, Remote Control, Group Commands.

Finish Options :-

Our standard curtain colours are white, beige or brown. Standard guide colours are white or brown. However, the curtain and guide sections can be powder coated to any BS or RAL colour you may require to compliment your specific design.

Dimensions :-

Electrical security shutters have a minimum width of 750mm.

Spring assisted shutters have a minimum width of 1000mm



BI-FOLD ROLFE LTD
Industrial Door Specialist

UNIT 4, CALCOT MOUNT, CALCOT LANE, CURDRIDGE, HAMPSHIRE SO32 2BN
Tel: (01489) 780099 Fax: (01489) 780090
E-Mail: sales@bifoldrolfe.com www.bifoldrolfe.com